

- Band 12/17, RF-Rx SAW Filter
- Revision 0: April 2014

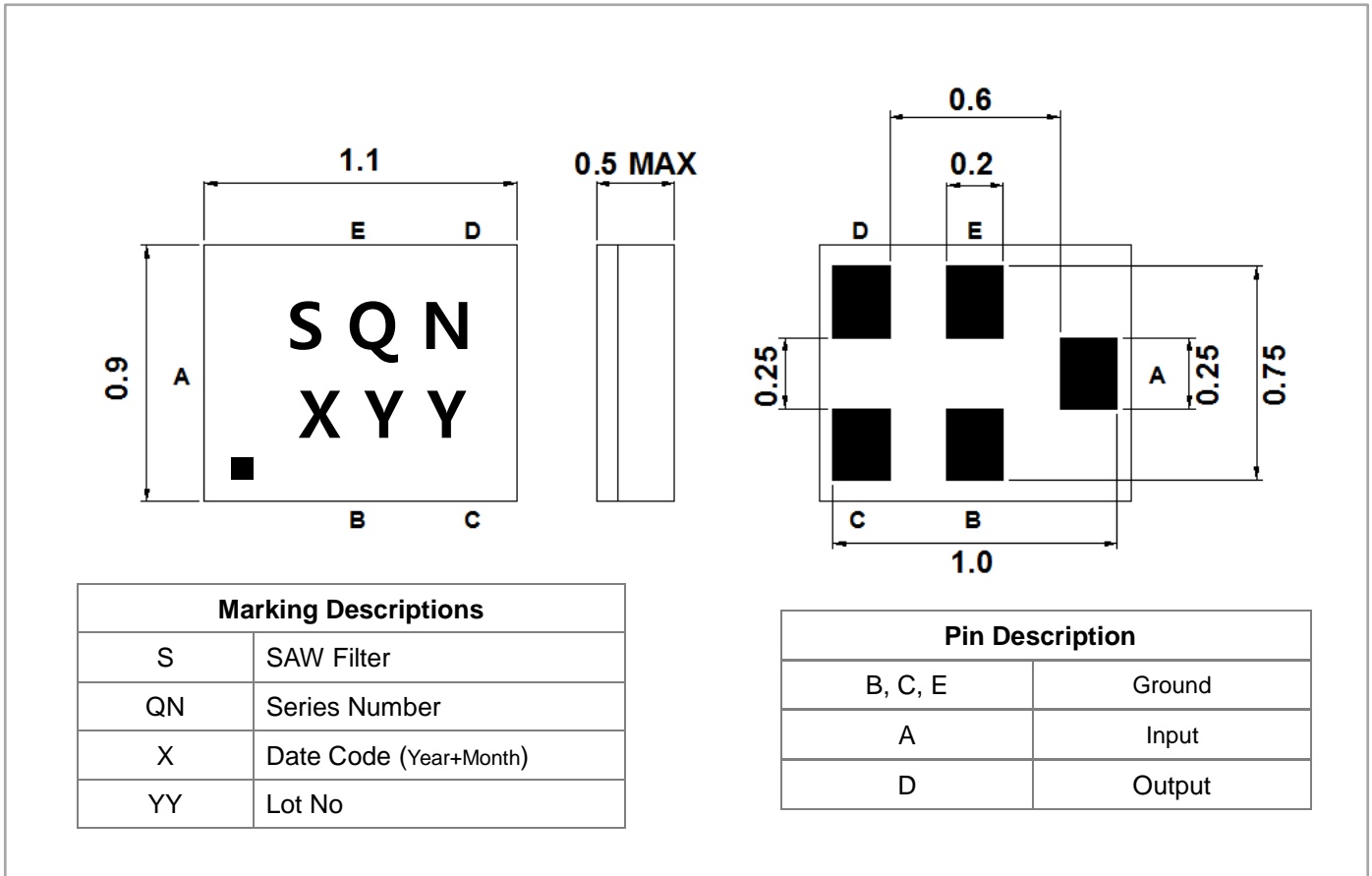
Electrical Characteristics

MAXIMUM RATING				
PARAMETERS DESCRIPTION	UNIT	MINIMUM	TYPICAL	MAXIMUM
Operating Temperature Range	°C	-30	-	+85
Storage Temperature Range	°C	-40	-	+85
Maximum DC Voltage	V	-	-	-
Maximum Input Power	dBm	-	-	10
Source Impedance (single ended) ⁽¹⁾	Ω	-	50	-
Load Impedance (Single ended) ⁽¹⁾	Ω	-	50	-
Package type & size	C13			
Length x Width	mm ²	-	1.1 x 0.9	-
Height	mm	-	-	0.5

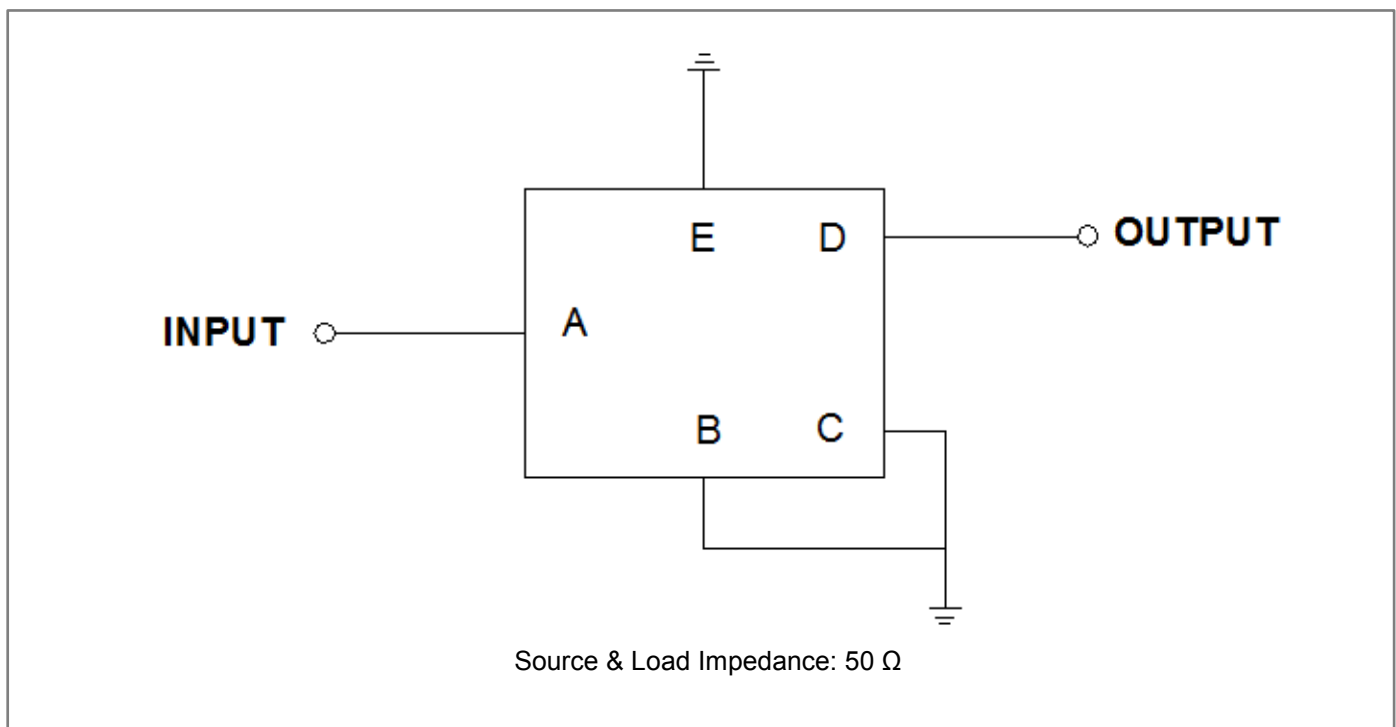
ELECTRICAL SPECIFICATION				
PARAMETERS		MINIMUM	TYPICAL	MAXIMUM
Center Frequency (Fo)	MHz	-	737.5	-
Insertion Loss within 729.0 ~ 746.0 MHz (Band 12)	dB	-	1.6	2.4
Insertion Loss within 734.0 ~ 746.0 MHz (Band 17)	dB	-	1.6	2.1
Amplitude Ripple within 729.0 ~ 746.0 MHz	dB _{p-p}	-	0.5	1.3
Amplitude Ripple within 734.0 ~ 746.0 MHz	dB _{p-p}	-	0.5	1.0
VSWR within 729.0 ~ 746.0 MHz	-	-	1.8	2.0
Attenuation				
1.0 ~ 699.0 MHz	dB	40	55	-
699.0 ~ 716.0 MHz	dB	50	53	-
716.0 ~ 722.0 MHz	dB	20	38	-
1710.0 ~ 2238.0 MHz	dB	40	45	-
2400.0 ~ 2500.0 MHz	dB	36	43	-
2500.0 ~ 6000.0 MHz	dB	30	40	-

Notes : (1) No Matching Network .

Package Dimensions

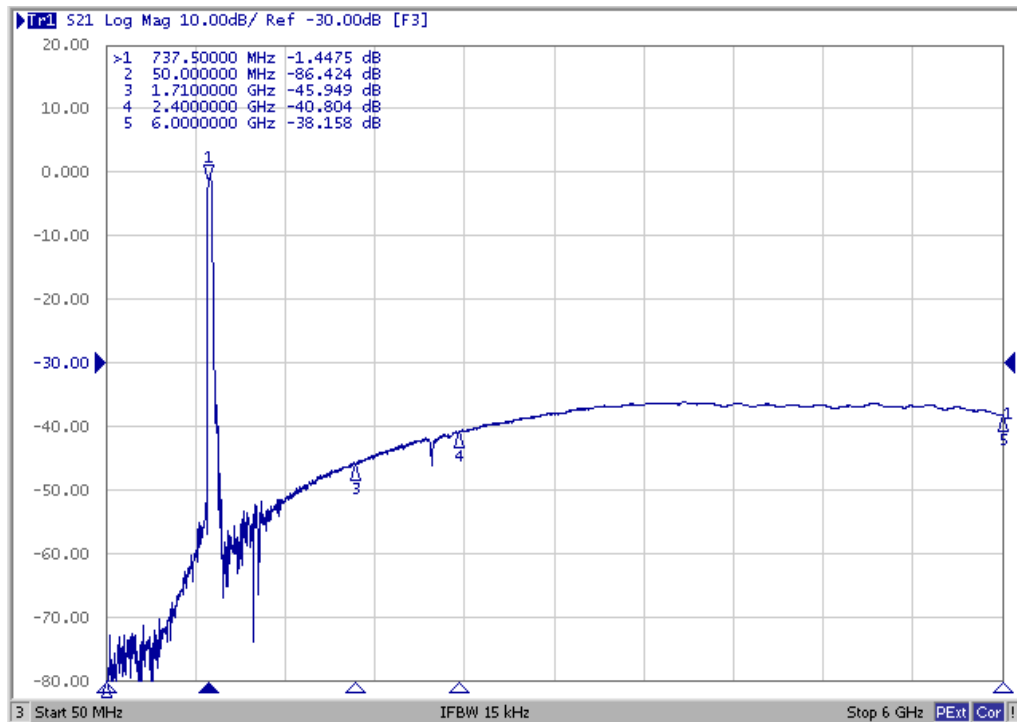
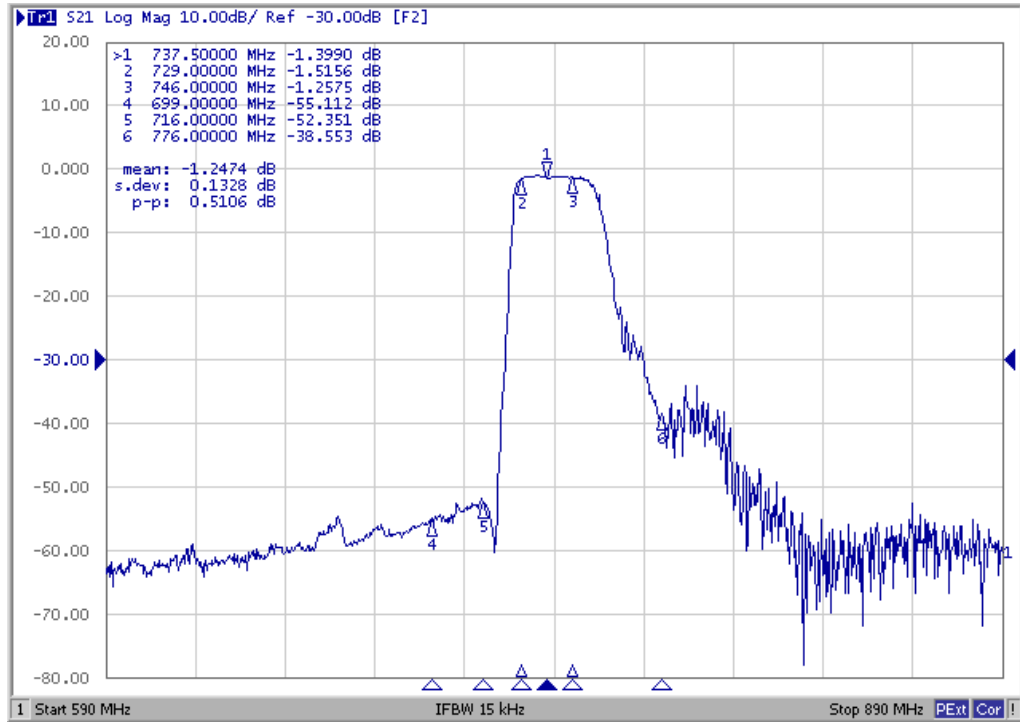


Testing Environment

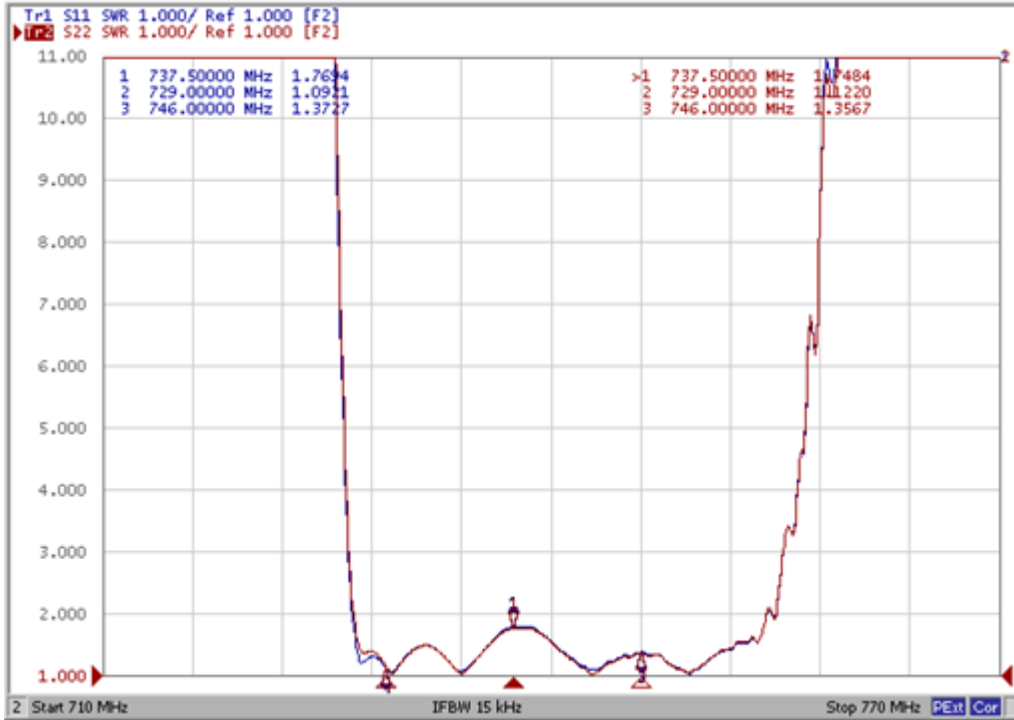


Frequency Characteristics

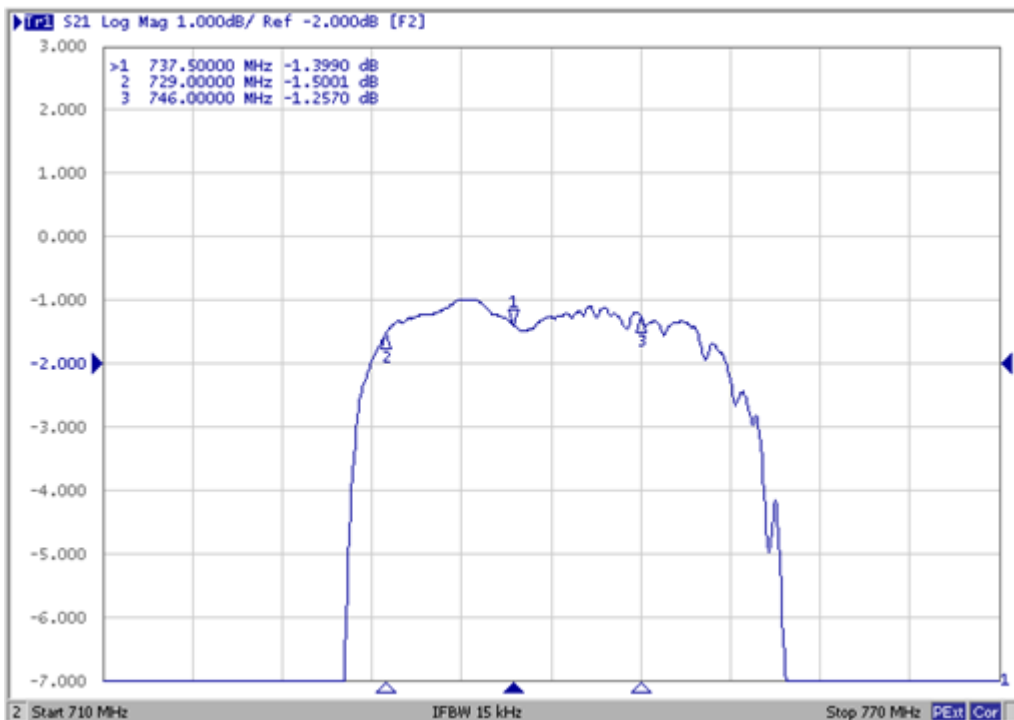
Frequency Response



VSWR



Ripple



Smith Chart

